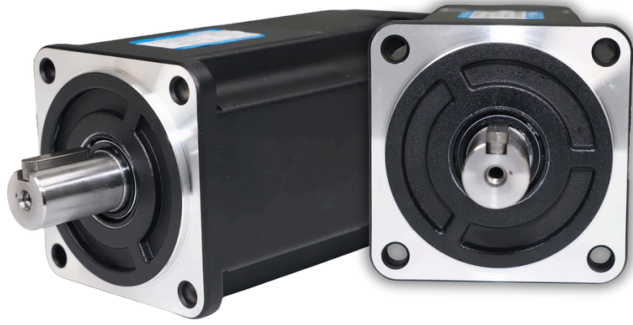




## Servo Motor & Driver Catalog



## Endox Servo Motors



- Compact and robust design suitable for tough industrial conditions.
- High-precision control with low noise operation.
- Excellent dynamic response and efficiency for fast and accurate movements.
- Equipped with high-resolution encoders for precise feedback.
- Long service life with consistently reliable performance.

## Endox Servo Drivers



- Uses advanced control algorithms for smooth and stable operation.
- Supports multiple communication interfaces (RS485 OR Modbus, ethercat, etc., if applicable).
- Built-in protection features including over-voltage, over-current, and overload.
- Auto-tuning capability for optimal motor performance.
- User-friendly software for easy parameter configuration and setup.

## Typical Applications

CNC machinery

Food & beverage automation

Robotics and robotic arms

Pharmaceutical process machines

Packaging and labeling machines

Pick & Place Systems

Printing and textile machines

Material Handling Systems

## AC SERVO MOTOR MODEL SELECTION

**XX-XXX-MXXX-XX-X**



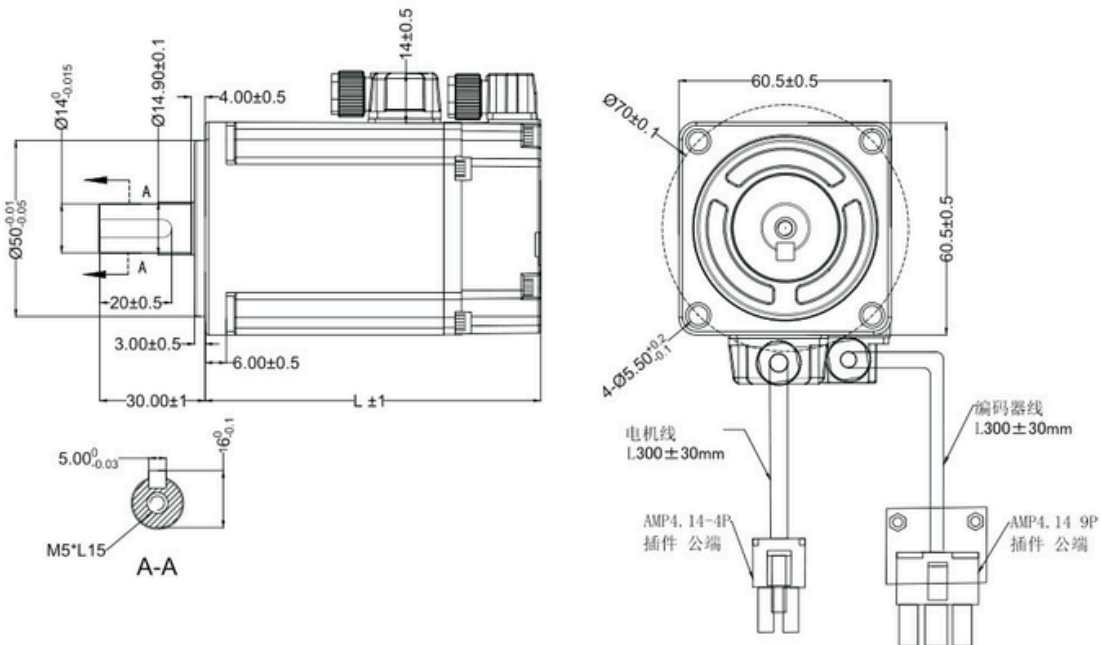
Example : **60BSF-M04030** indicates that the model has 60X60mm Flange size, 5 pair of poles, 0.40kW (400W) of Power with rated speed of 3000 RPM.

## 60(B) Series – Servo Motors (BSF Series)

Motor model	60BSF-M02030	60BSF-M04030	60BSF-M06030
Rated power (KW)	0.2	0.4	0.6
Rated line voltage (V)	220	220	220
Rated line current (A)	1.4	2.6	3.5
Rated speed (RPM)	3000	3000	3000
Rated Holding torque (N.M)	0.64	1.27	1.91
Peak torque (N.M)	2.24	5.08	6.68
Torque coefficient (N. M/A)	0.45	0.49	0.55
Rotor inertia (Kg.m <sup>2</sup> )	0.29×10 <sup>-4</sup>	0.56×10 <sup>-4</sup>	0.76×10 <sup>-4</sup>
Encoder line number (PPR)	Absolute - 17 bits		
Motor insulation level	Class F		
Protection level	IP 65		
Usage environment	Ambient temperature: -20°C~+50°C   Ambient humidity: relative humidity ≤ 90% (no frost conditions)		

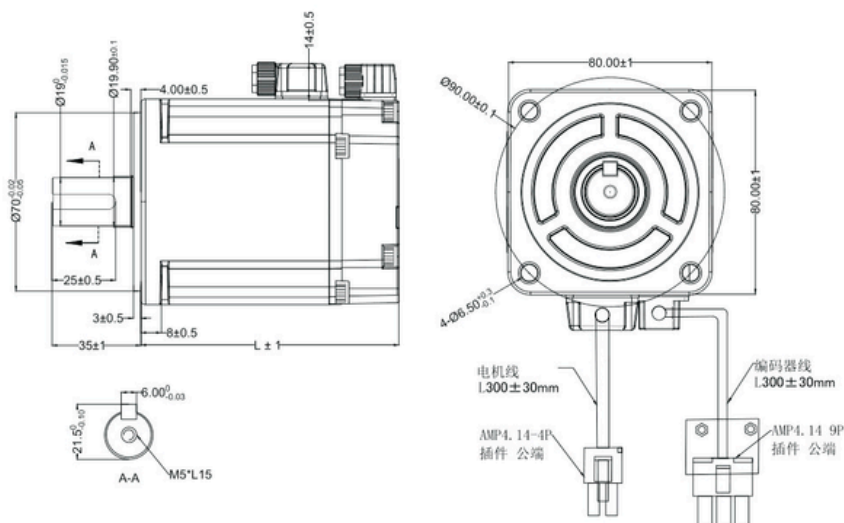
## Installation Dimension

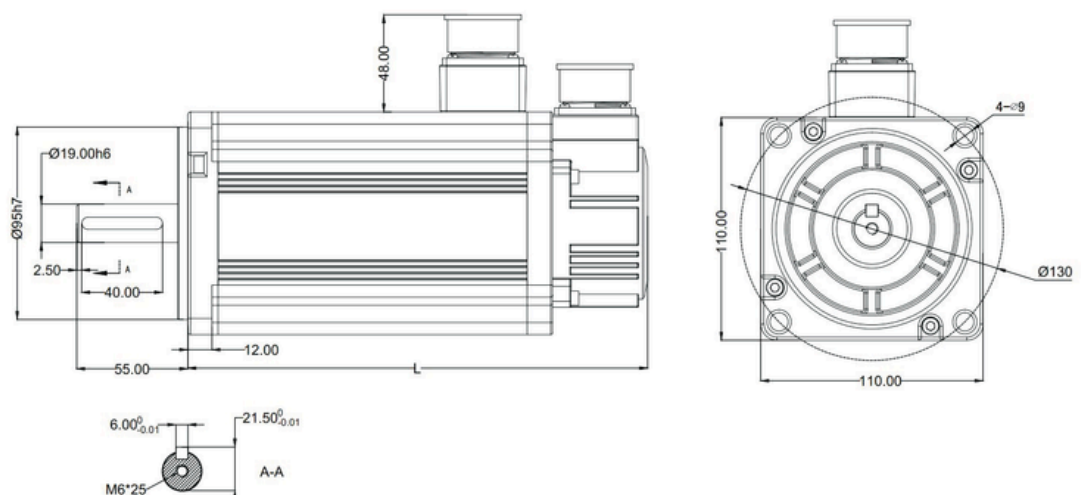
Body Length in mm	83.5	95.5	113.5
-------------------	------	------	-------



80(B) Series – Servo Motors (BSF Series)		
Motor model	80BSF-M07530	80BSF-M10030
Rated power (KW)	0.75	1
Rated line voltage (V)	220	220
Rated line current (A)	3.8	5.5
Rated speed (RPM)	3000	3000
Rated Holding torque (N.M)	2.39	3.2
Peak torque (N.M)	8.36	11.2
Torque coefficient (N.M/A)	0.63	1.02
Rotor inertia (Kg.m <sup>2</sup> )	1.56×10 <sup>-4</sup>	2.03×10 <sup>-4</sup>
Encoder line number (PPR)	Absolute - 17 bits	
Motor insulation level	Class F	
Protection level	IP 65	
Usage environment	Ambient temperature: -20°C~+50°C   Ambient humidity: relative humidity ≤ 90% (no frost conditions)	

Installation Dimension		
Body Length in mm	101.5	113.5



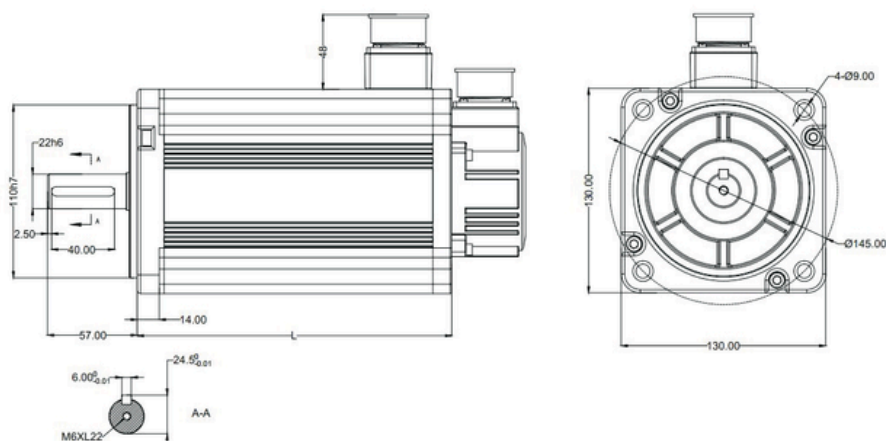
110(A) Series – Servo Motors (BSF Series)			
Motor model	110BSF-M12030	110BSF-M15030	110BSF-M18030
Rated power (KW)	1.2	1.5	1.8
Rated line voltage (V)	220	220	220
Rated line current (A)	5	6	6
Rated speed (RPM)	3000	3000	3000
Rated Holding torque (N.M)	4	5	6
Peak torque (N.M)	12	15	18
Torque coefficient (N. M/A)	0.8	0.83	1
Rotor inertia (Kg.m <sup>2</sup> )	0.37×10 <sup>-4</sup>	0.45×10 <sup>-4</sup>	0.50×10 <sup>-4</sup>
Encoder line number (PPR)	Absolute - 17 bits		
Motor insulation level	Class F		
Protection level	IP 65		
Usage environment	Ambient temperature: -20°C~+50°C   Ambient humidity: relative humidity ≤ 90% (no frost conditions)		
Installation Dimension			
Body Length in mm	198	214	226
			

## 130(A) Series – Servo Motors (BSF Series)

Motor model	130BSF-M10025	130BSF-M15025	130BSF-M20025	130BSF-M26025	130BSF-M38025
Rated power (KW)	1	1.5	2	2.6	3.8
Rated line voltage (V)	220	220	220	220	220
Rated line current (A)	4	6	7.5	10	13.5
Rated speed (RPM)	2500	2500	2500	2500	2500
Rated Holding torque (N.M)	4	6	7.7	10	17.3
Peak torque (N.M)	12	18	21	25	35
Torque coefficient (N. M/A)	1	1	1.03	1	1.25
Rotor inertia (Kg.m <sup>2</sup> )	0.49×10 <sup>-4</sup>	0.55×10 <sup>-4</sup>	0.67×10 <sup>-4</sup>	0.88×10 <sup>-4</sup>	1.21×10 <sup>-4</sup>
Encoder line number (PPR)	Absolute - 17 bits				
Motor insulation level	Class F				
Protection level	IP 65				
Usage environment	Ambient temperature: -20°C~+50°C   Ambient humidity: relative humidity ≤ 90% (no frost conditions)				

## Installation Dimension

Body Length in mm	175	189	199	217	237
-------------------	-----	-----	-----	-----	-----



## AC Servo Drivers

<b>Model</b>	HR3-PR1R6 S2	HR3-PR2R8 S2	HR3-PR5R5 S2
<b>Power (W)</b>	200	400	750
<b>Voltage</b>	220VAC Single Phase	220VAC Single Phase	220VAC Single Phase
<b>Current (A)</b>	1.6	2.8	5.5

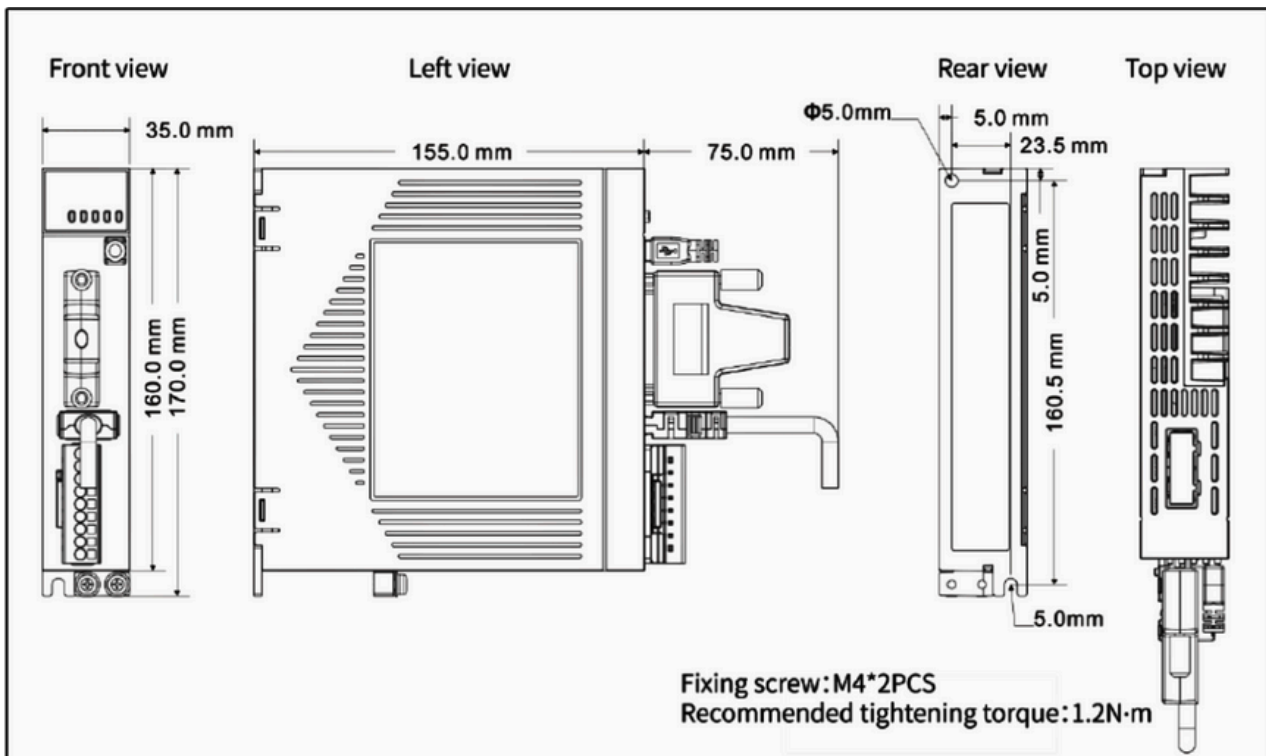
## AC Servo Drivers

<b>Model</b>	HR3-PR7R6 S2	HR3-PR012 S2	HR3-PR014 S2
<b>Power (W)</b>	1000	1500	2000
<b>Voltage</b>	220VAC Single Phase	220VAC Single Phase	220VAC Single Phase
<b>Current (A)</b>	7.6	11.6	14.0

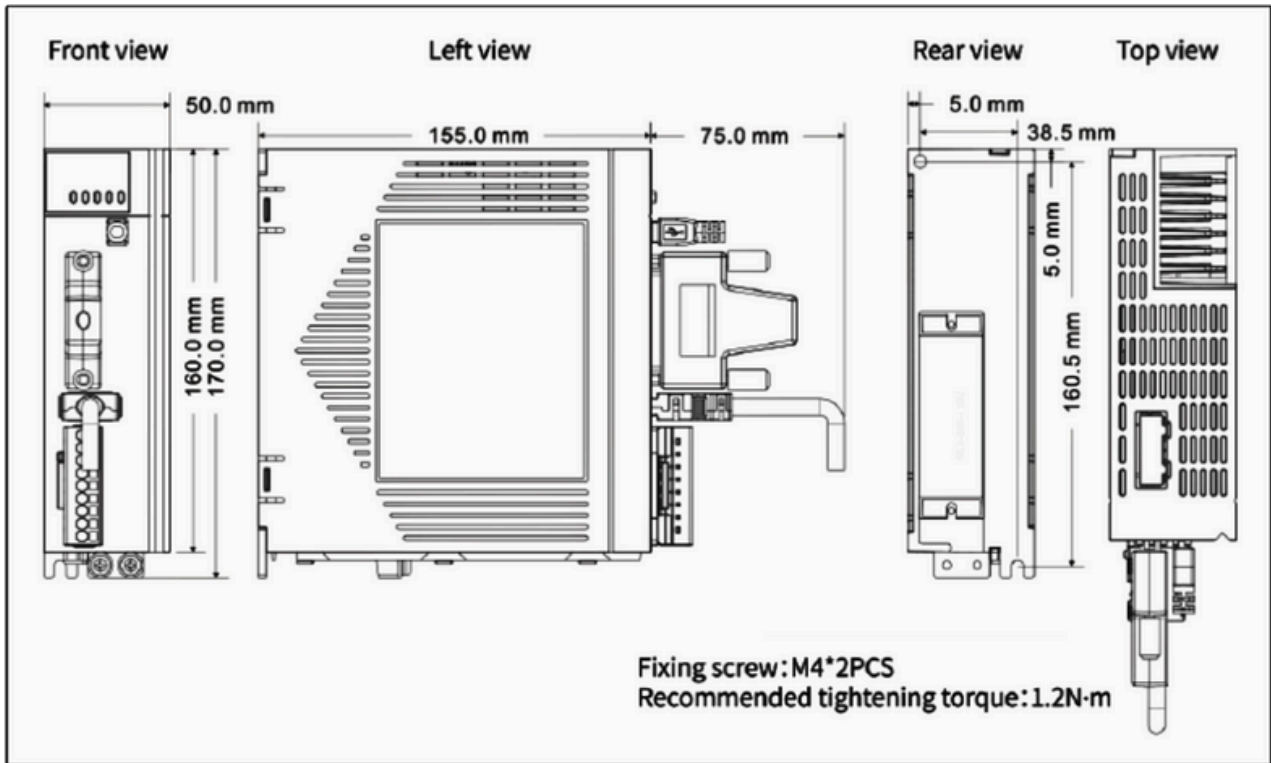
## AC Servo Drivers

<b>Model</b>	HR3-PR3R5 T3	HR3-PR5R4 T3	HR3-PR8R4 T3
<b>Power (W)</b>	1000	1500	2000
<b>Voltage</b>	380VAC Three Phase	380VAC Three Phase	380VAC Three Phase
<b>Current (A)</b>	3.5	5.4	8.4

## Size A : 200W & 400W - Single Phase



## Size B : 750W & 1000W - Single Phase



## Size C : 1500W, 2000W - Single Phase 1000W, 1500W, 2000W - Three Phase

