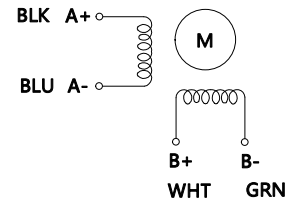
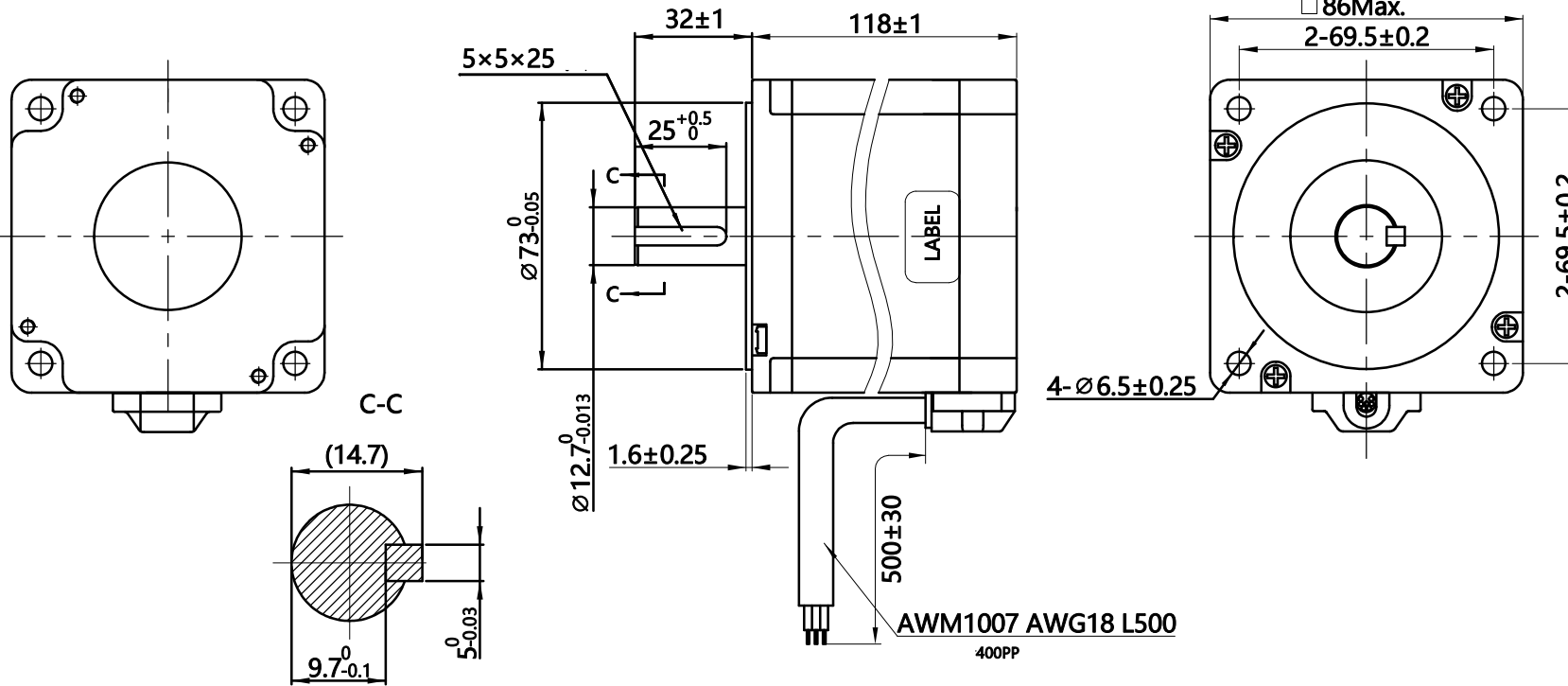


HYBRID STEPPING MOTOR SPECIFICATION

(DIMENSIONS) unit=mm

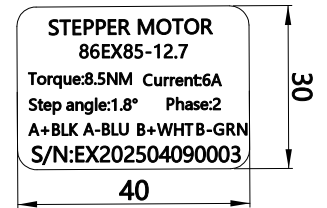


Exciting Sequence vs. Direction of Rotation

STEP	A	B	C	D	
1	+	+	-	-	↓ CW ↑ CCW
2	-	+	+	-	
3	-	-	+	+	
4	+	-	-	+	

Clockwise view from mounting side

Label Detail



12, Step Angle	1.8°±5%	
11, Number of Phase	2	
10, Rated Voltage	2.7 V	
9, Rated Current/Phase	6 A	
8, Holding Torque	8.5 N.M	
7, Detent Torque	- g-cm	
6, Phase Resistance	0.45 Ω±0.1(20°C)	
5, Phase Inductance	4.75mH±20%(1kHz1V RMS)	
4, Dielectric Strength	AC 500V/ 1min / 5mA Max.	
3, Rotor Inertia	g-cm ²	
2, Weight	kg	
1, Insulation Class	B (130°) 80K Max.	
Specifications		Comment

REVISION RECORD				DATE		TITLE		STEPPING MOTOR	
REV.	ECN NO.					DWG.NO.	86EX85-12.7		
DESIGN		CHECK				MATERIAL		SIZE	A4
STANDARD		APPROVE				REV.	A	SCALE	1:1 SHEET
TECHNOLOGY		ECN SIGN							1 of 1

CUSTOMER'S MODELNO.	REV.